



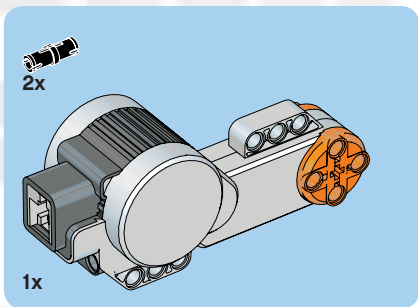
MINDSTORMS[®]

education

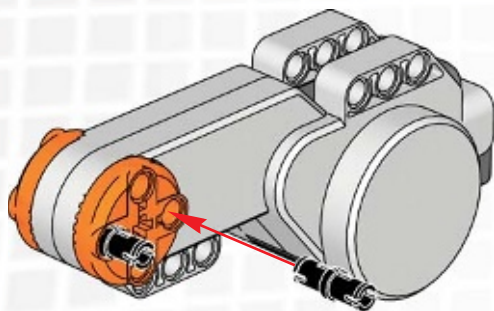


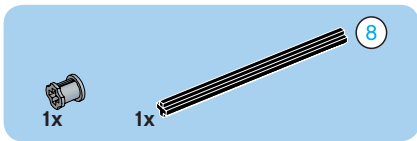
9797



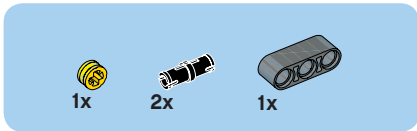
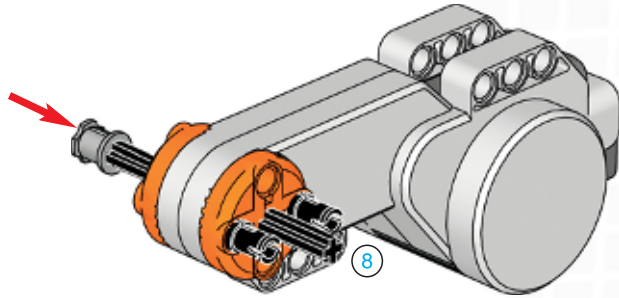


1

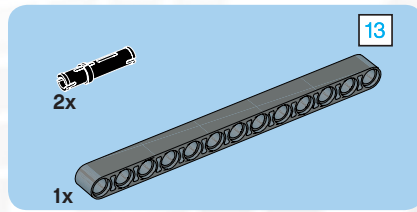
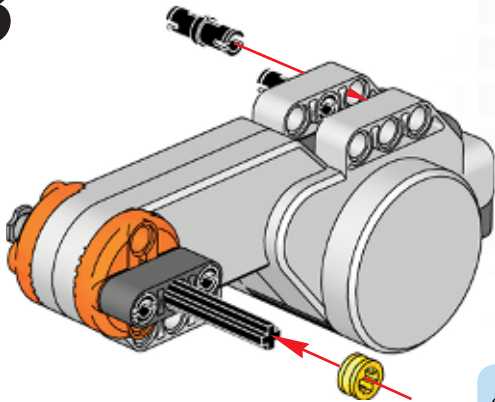




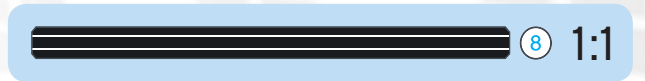
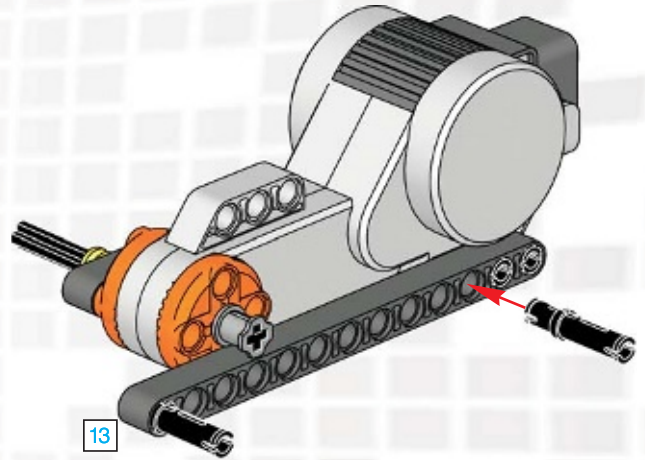
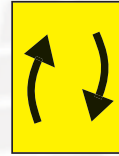
2



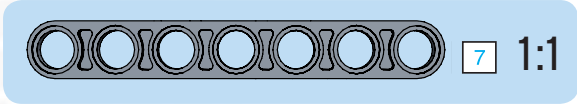
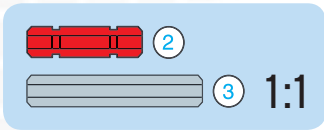
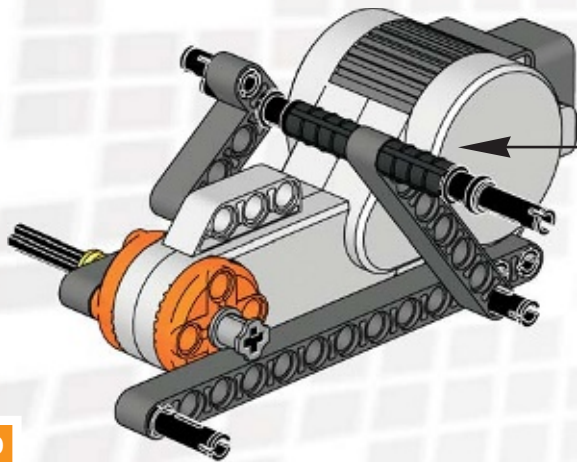
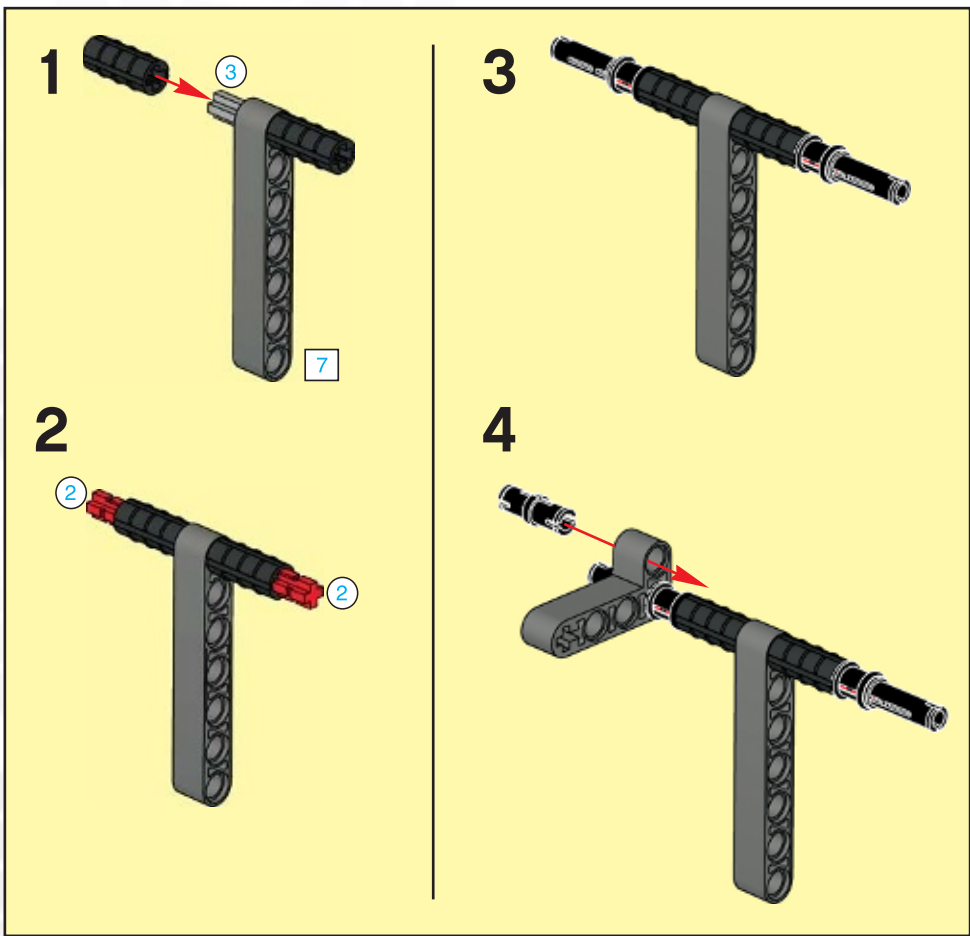
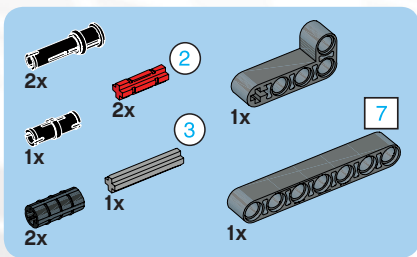
3

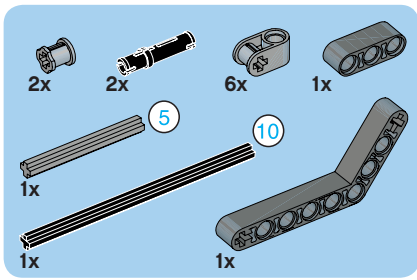


4

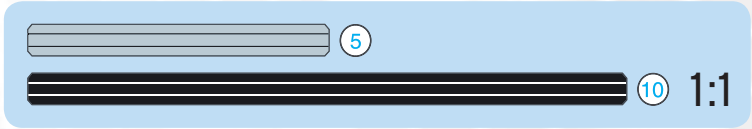
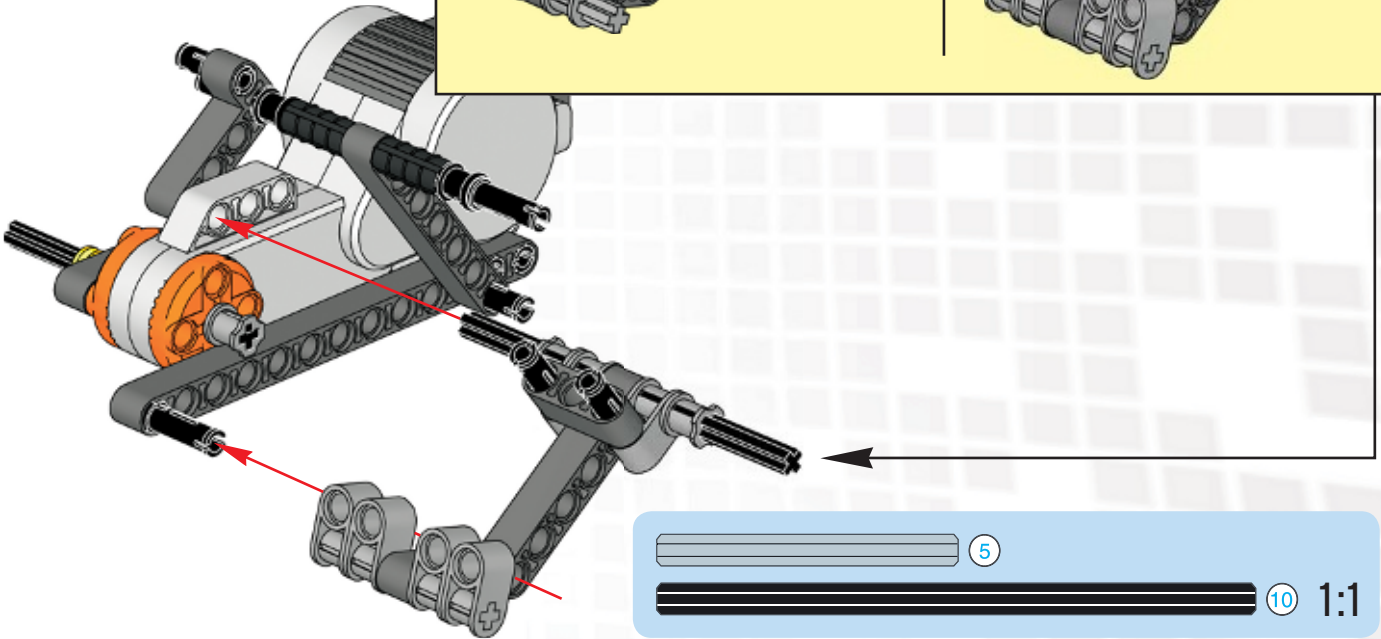
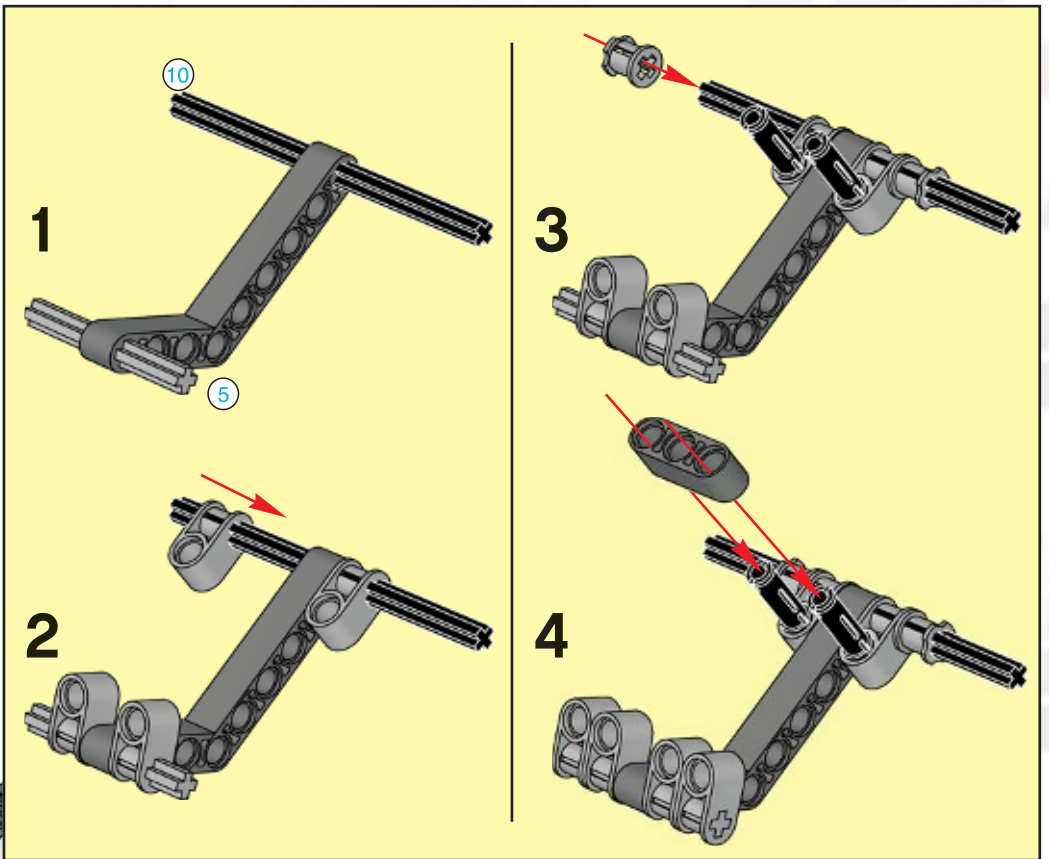


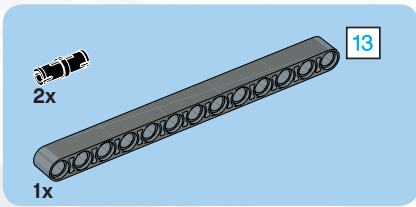
5



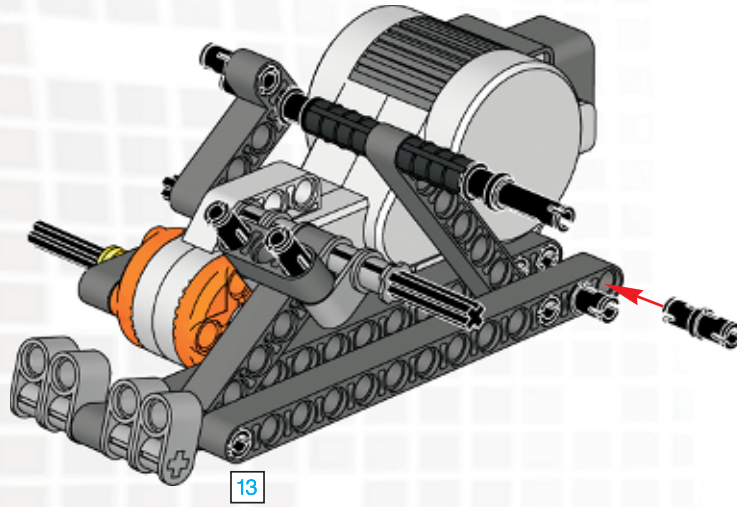


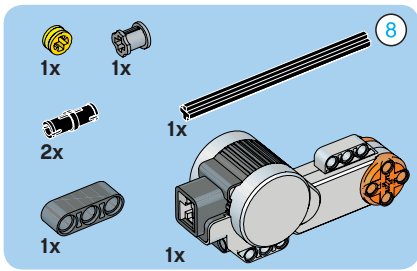
6



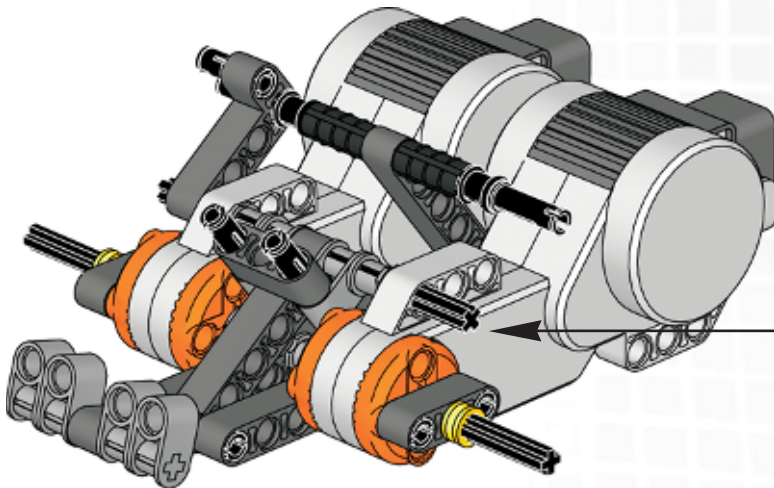
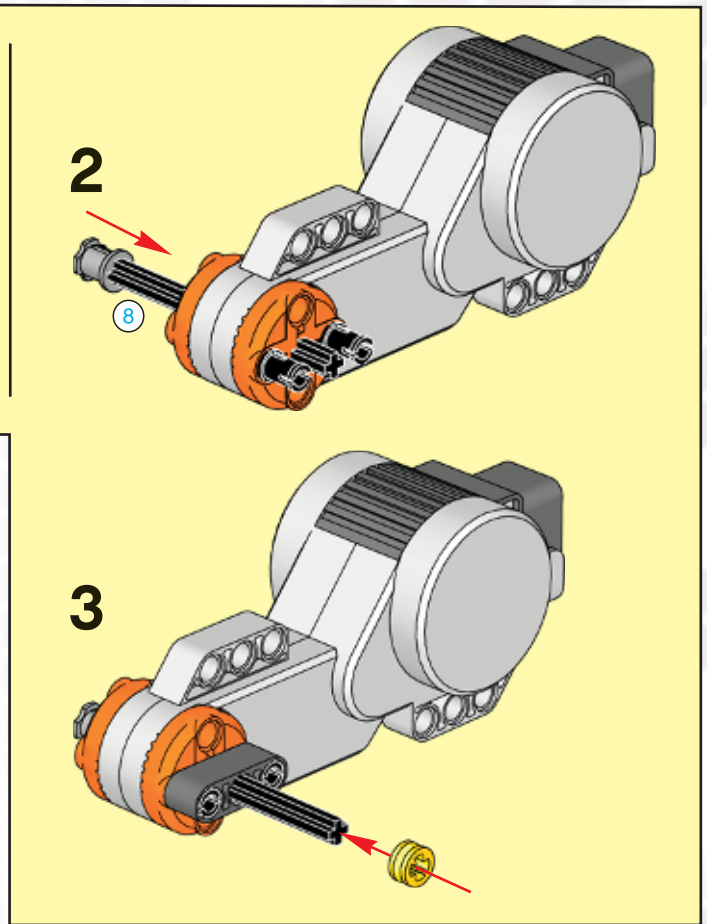
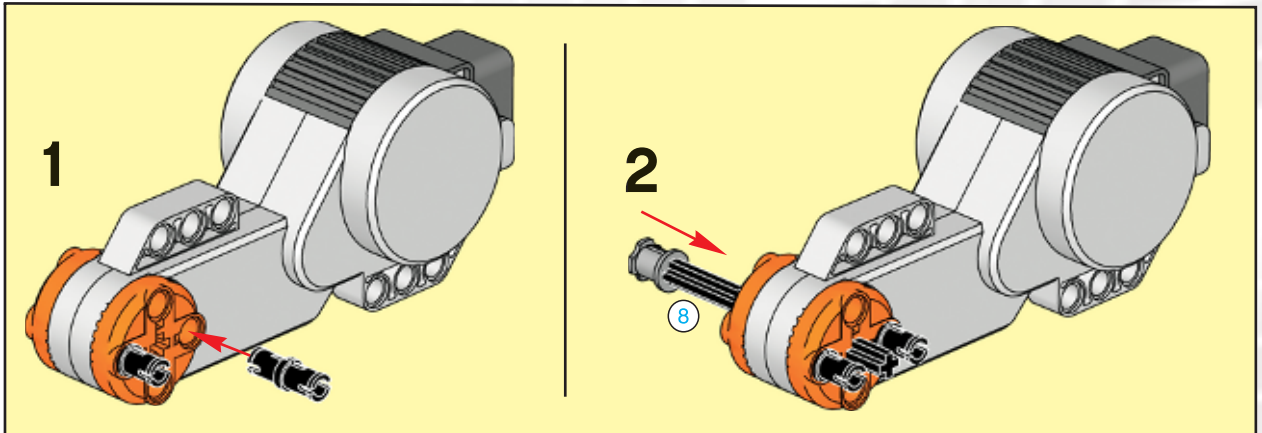


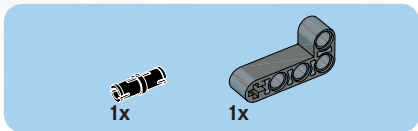
7



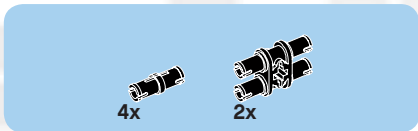
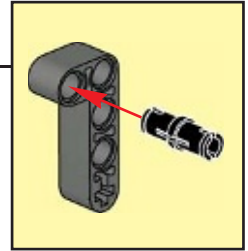
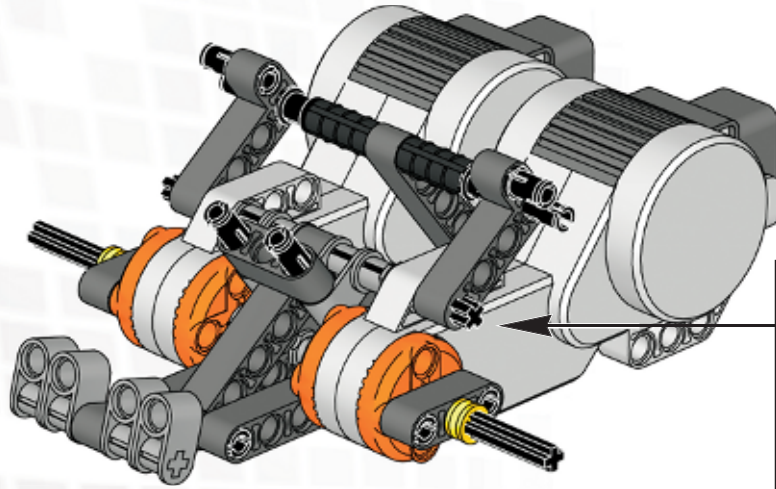


8

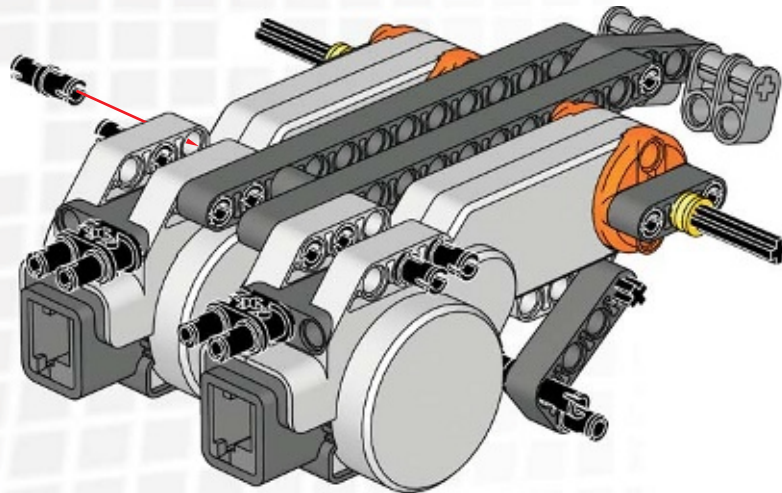
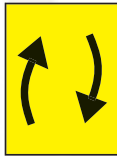




9



10



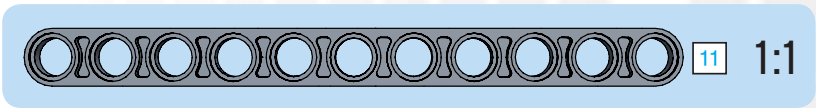
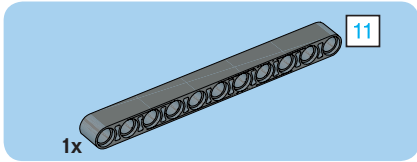
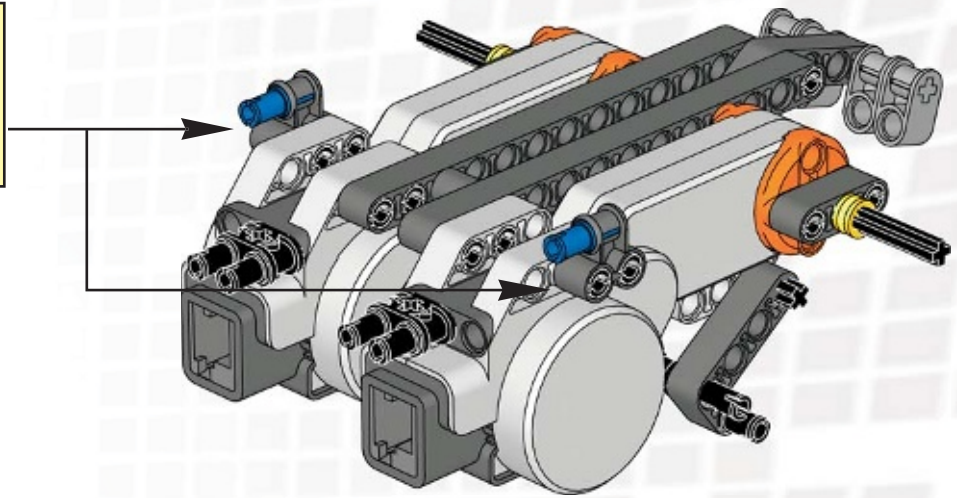
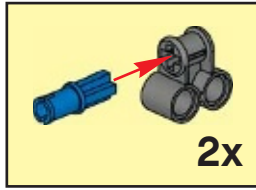


2x

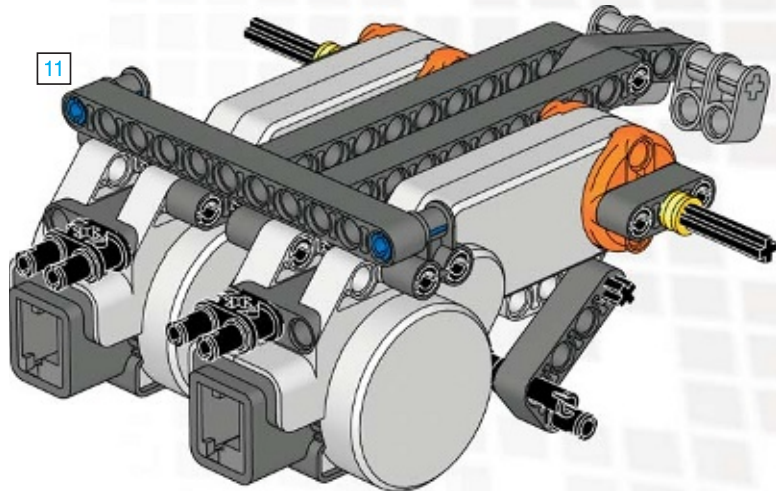


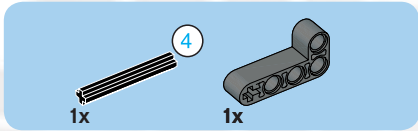
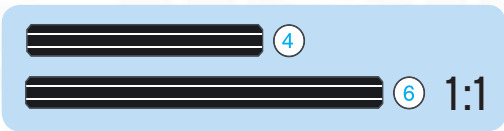
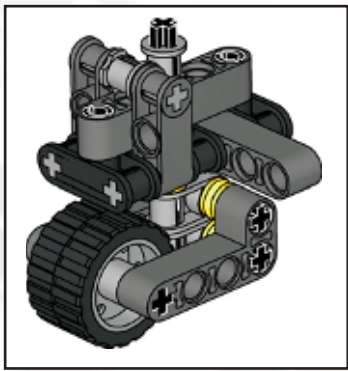
2x

11



12

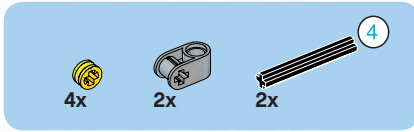




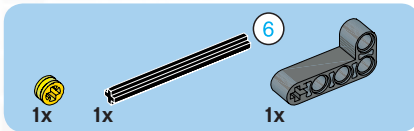
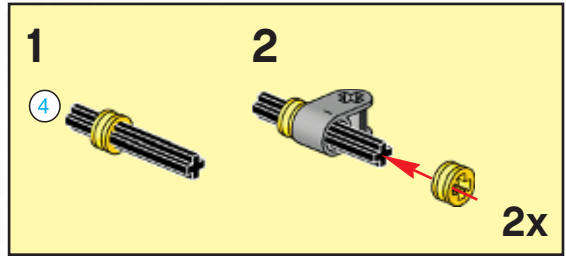
1



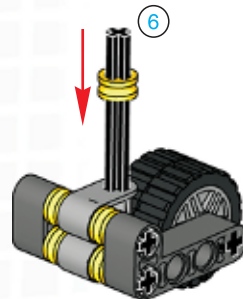
2

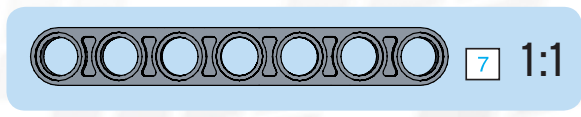
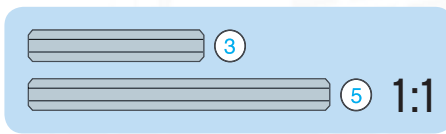
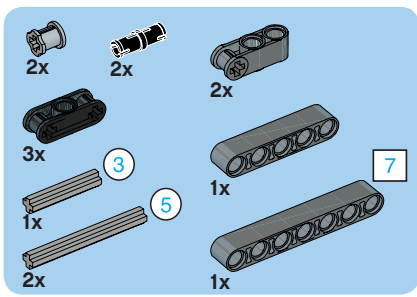


3



4

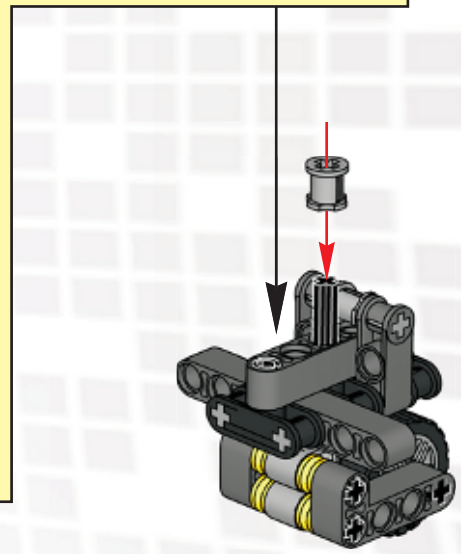




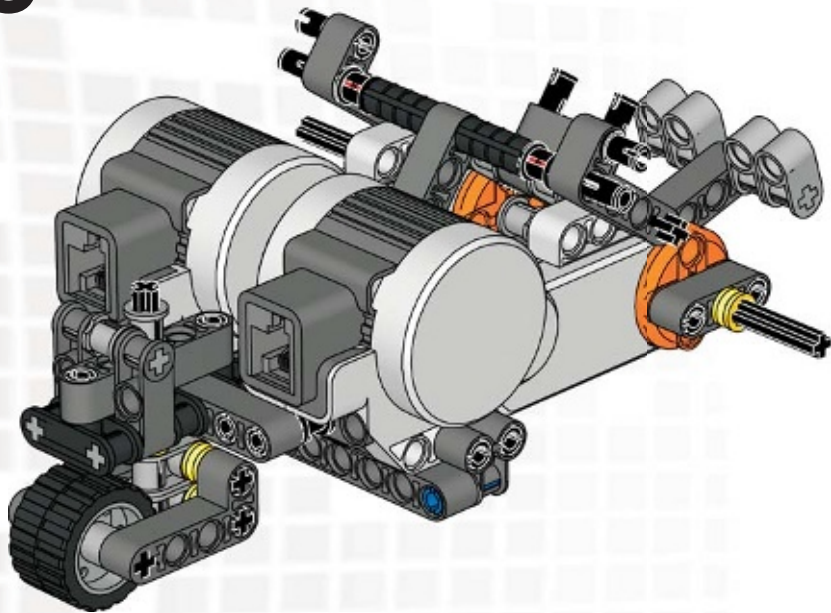
5

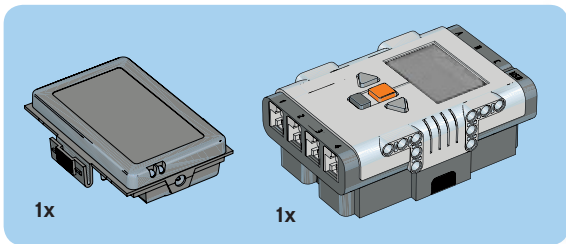
Assembly steps 1 through 6:

- Insert two grey 3-hole Technic beams (part 5) into the holes of a grey 3-hole Technic beam.
- Attach a grey 3-hole Technic beam to the ends of the two grey 3-hole Technic beams from step 1.
- Slide a grey 7-hole Technic beam (part 7) onto the two grey 3-hole Technic beams from step 1. Red arrows indicate the alignment.
- Attach a grey 3-hole Technic beam to the ends of the two grey 3-hole Technic beams from step 1.
- Insert a grey 1-hole Technic beam (part 3) into the hole of the grey 7-hole Technic beam from step 3. A blue arrow points to the hole, and a red arrow points to the beam.
- Insert a grey 1-hole Technic beam (part 3) into the hole of the grey 7-hole Technic beam from step 3. A red arrow points to the hole, and a blue arrow points to the beam.

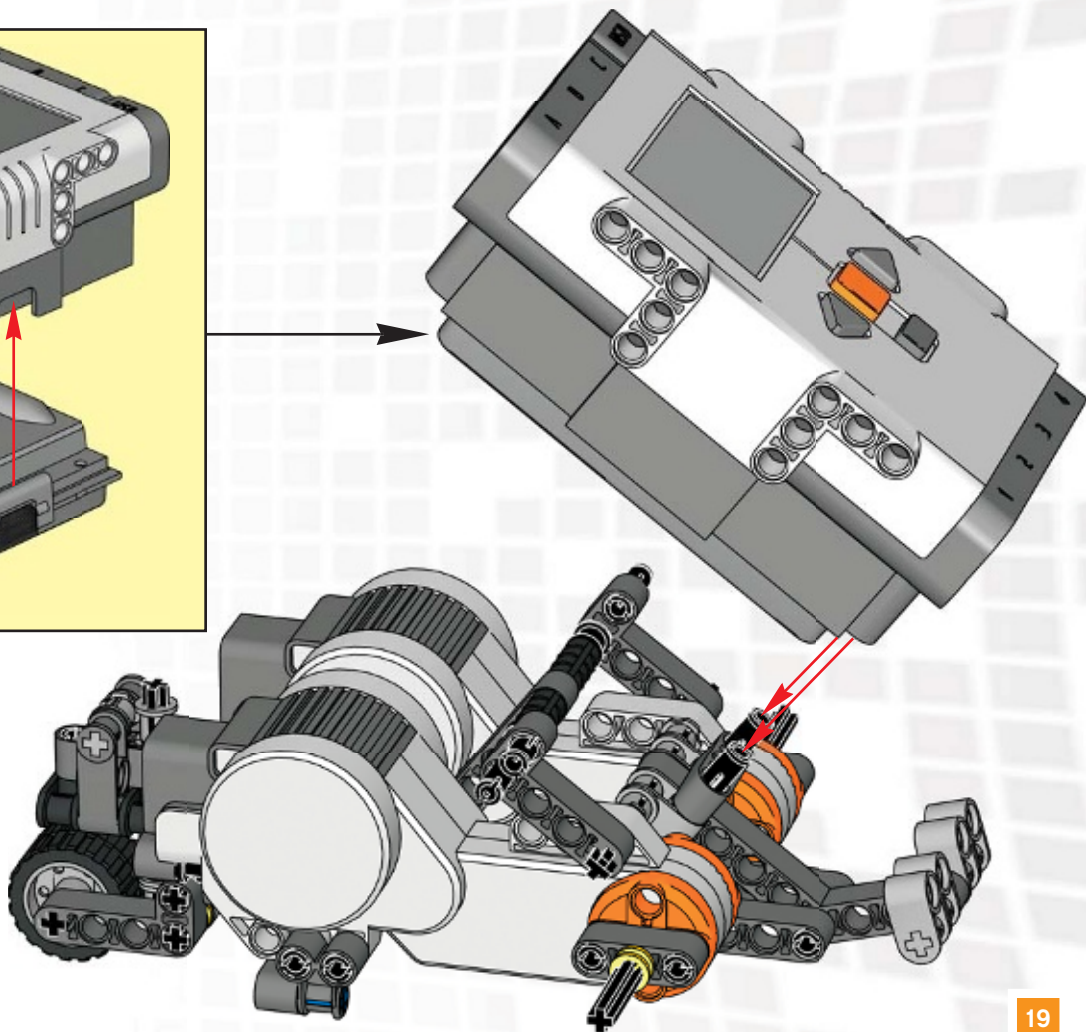
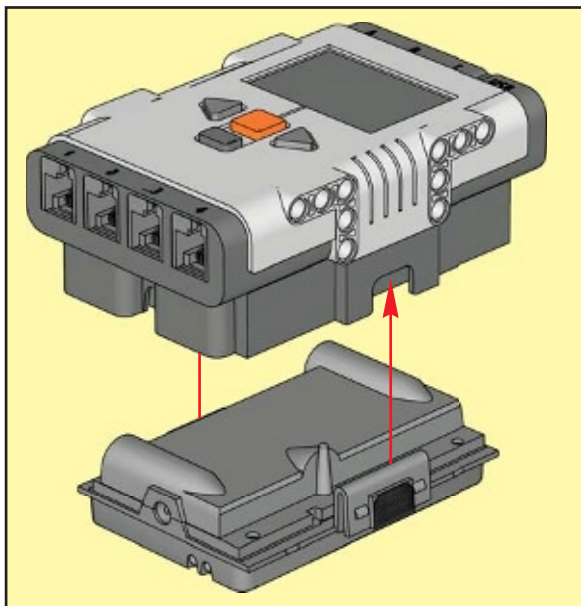


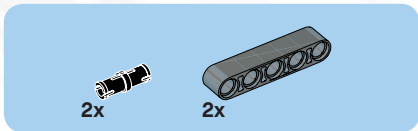
13



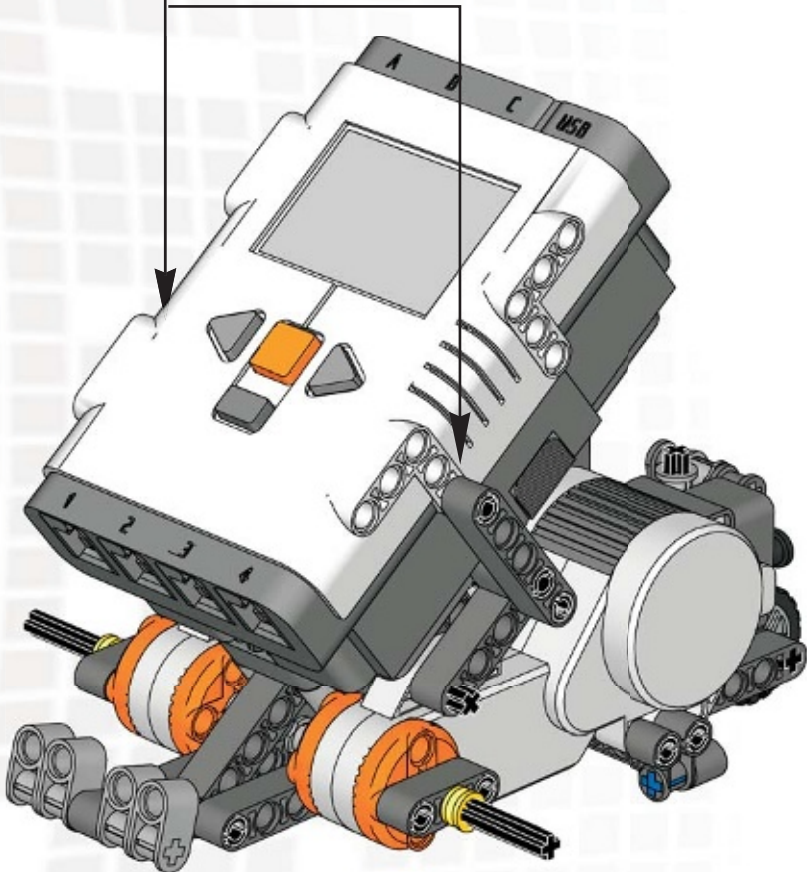
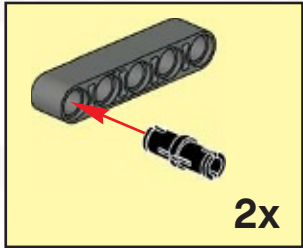
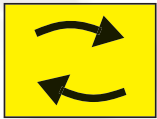


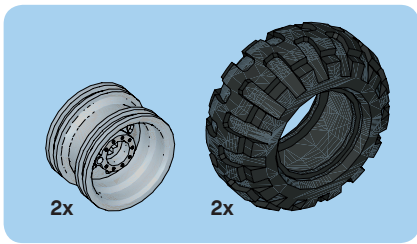
14



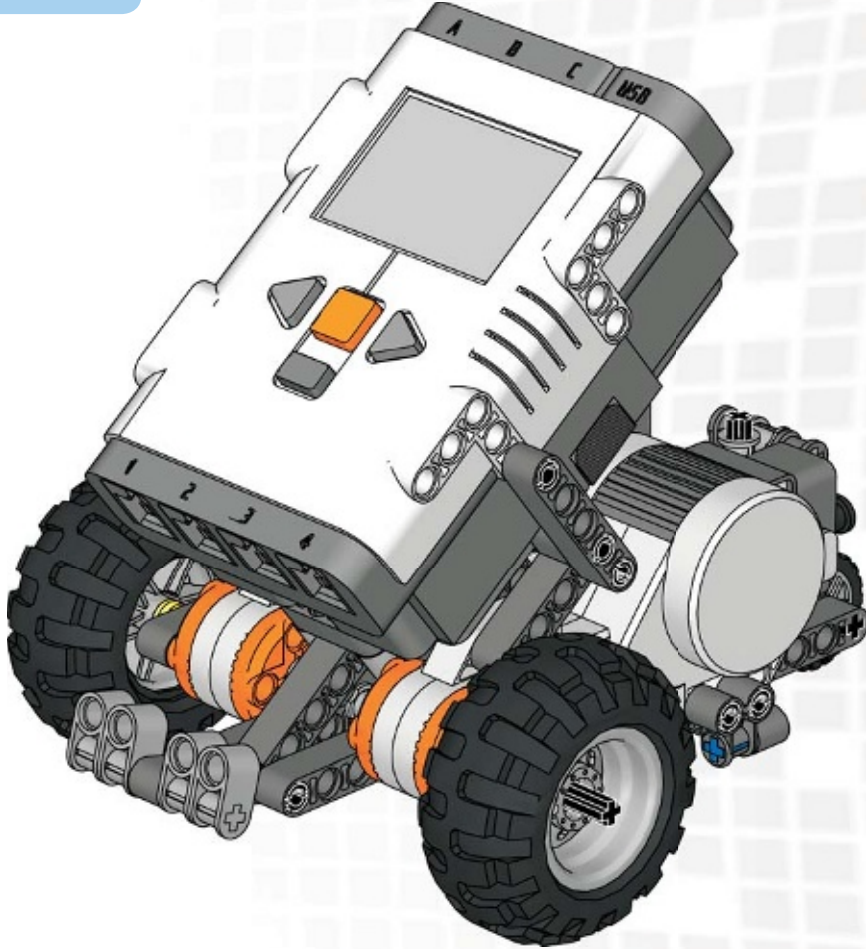


15





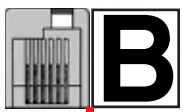
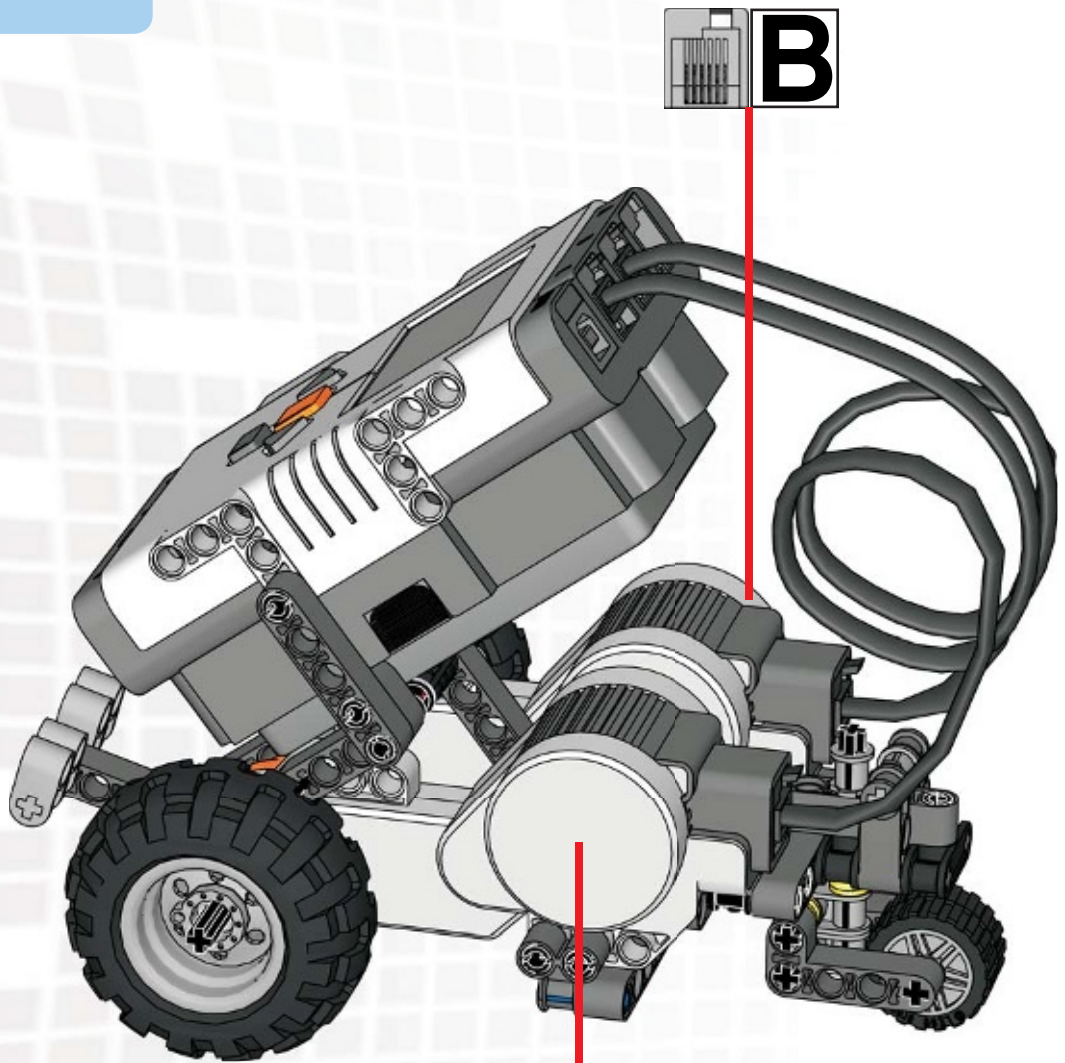
16



35 CM/14 INCH

2x

17



B



C

